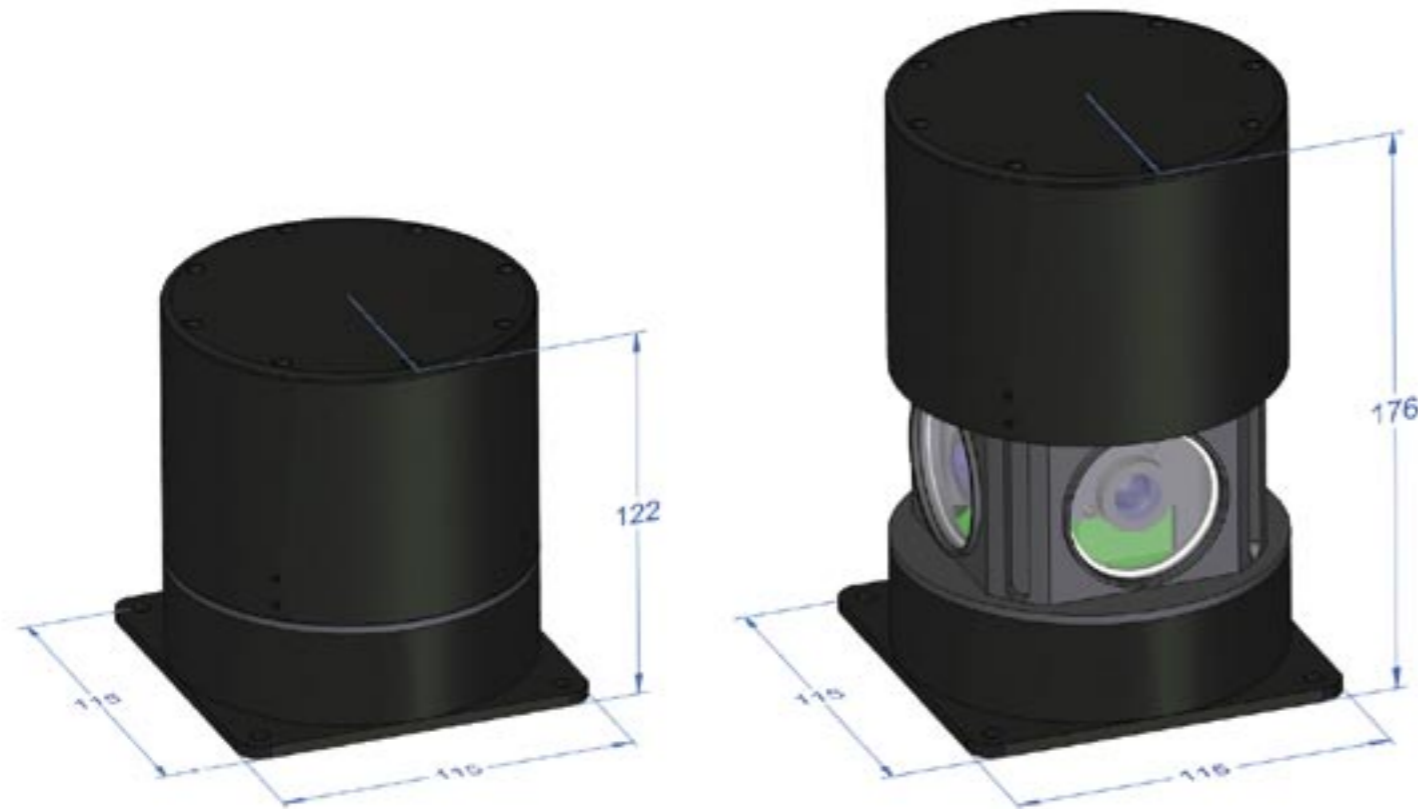


# OmniCam panoramic camera for the crew safety



The panoramic camera head is manufactured of aluminum alloy and weights 1680g only. The head is attached to the display unit using single robust Amphenol connector. Ethernet network adapter can be optionally connected to the head instead of the display unit.

The standard display unit screen size is 12". It is equipped with capacitive touch panel covered with hardened glass. The display resolution is 1280 × 800 pixels.

The **OmniCam** display unit can be supplied with various screen sizes and resolutions depending on the user's preferences. The length of the cable between the display unit and the camera head may be adjusted from 1 to 5 meters. Whole device is powered from 230 VAC wall plug or vehicle DC network. It is possible to modify and enhance the digital image processing functions using the **VisionLab** machine vision development system.



The **OmniCam** panoramic overview system consists of a camera head and a display unit with touch screen.

The system allows automatic movement detection in defined zones within the image covering full 360 degrees.



## Do you have good lookout from your vehicle?

**Moravské přístroje a.s.** <http://www.moravinst.com> tel./fax 577 107 171  
Masarykova 1148 <http://www.mii.cz> tel. 603 498 498  
763 02 Zlín-Malenovice <http://www.controlweb.cz> tel. 603 228 976  
mailto:info@mii.cz <http://www.controlweb.eu>





# OmniCam

Live high-resolution panoramic image brings very good overview of events around the vehicle or site even in the intricate areas. Automatic movement detection increases safety of the crew of various vehicles even during the long lasting and tiring presence on dangerous sites.

## Precision mechanics



## Reliable electronics



## Advanced software

- panoramic camera without moving parts
- continuous all around panoramic image 360 × 160 degrees
- high sensitivity CCD sensors
- variable frame rate with the possibility of long exposures under low light conditions
- moveable cover protects the camera from damage
- display unit with capacitive touch panel allows finger touch control
- motion detection within the whole image
- ability to restrict motion detection to user defined zones
- zones of interest easily defined using touch panel
- acoustic and/or optical indication of detected motion
- capability to store images on internal SSD
- capability to record video sequences
- panoramic camera head can be attached over long distance with Ethernet and TCP/IP protocol

